

KAYNAK BOYUNLU FLANŞ 600 LB



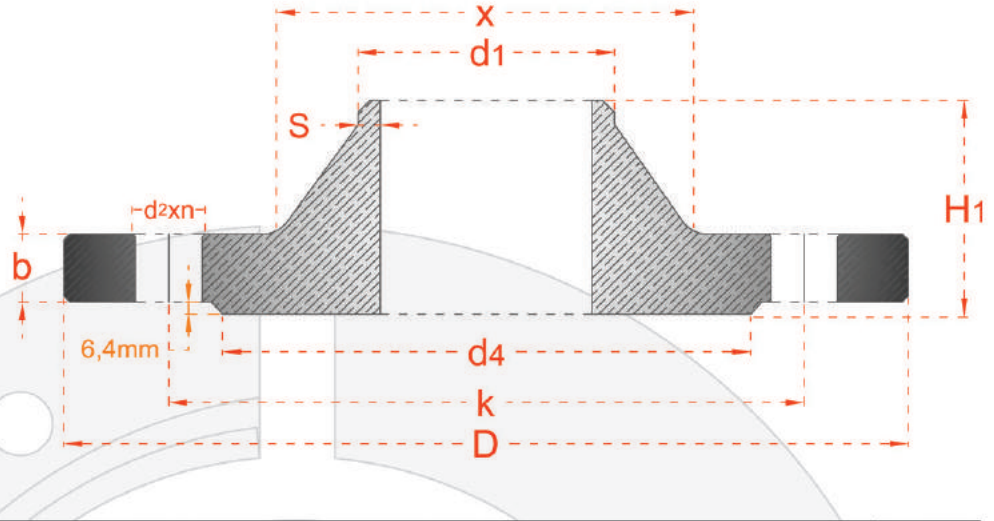
MSS - SP 44
ASME B 16.47 2006 SERIE A
ASME B 16.47 2006 SERIE B



WELDING NECK FLANGE CLASS 600



MSS - SP 44
ASME B 16.47 2006 SERIE A
ASME B 16.47 2006 SERIE B



| MSS -SP 44 ASME B16.47 2006 SERIE A | | | | | | | | | | | | AĞIRLIK WEIGHT |
|-------------------------------------|-----|---------|-------|---------|----------------------|---------|------|--|---------|---------|-------|-------------------|
| DN | NPS | D | b | d4 | DELİKLER - DRILLINGS | | | s | X | d1 | H1 | kg |
| | | | | | n | k | d2 | | | | | |
| 650 | 26" | 1,016.0 | 107.9 | 749.3 | 28 | 914.4 | 50.8 | S DEĞERİ MÜŞTERİ İLE GÖRÜŞÜLEREK BELİRLENECEKTİR | 747.7 | 660.4 | 222.2 | 479 |
| 700 | 28" | 1,073.1 | 111.2 | 800.1 | 28 | 965.2 | 53.8 | | 803.1 | 711.2 | 234.9 | 538 |
| 750 | 30" | 1,130.3 | 114.3 | 857.2 | 28 | 1022.3 | 53.8 | | 862.0 | 762.0 | 247.6 | 608 |
| 800 | 32" | 1,193.8 | 117.3 | 914.4 | 28 | 1079.5 | 60.4 | | 917.4 | 812.8 | 260.3 | 689 |
| 850 | 34" | 1,244.6 | 120.6 | 965.2 | 28 | 1130.3 | 60.4 | | 973.0 | 863.6 | 269.7 | 756 |
| 900 | 36" | 1,314.4 | 124.0 | 1,022.3 | 28 | 1193.8 | 66.5 | | 1,031.7 | 914.4 | 282.4 | 868 |
| 950 | 38" | 1,270.0 | 152.4 | 1,054.1 | 28 | 1,162.0 | 60.4 | | 1,022.3 | 965.2 | 254.0 | 755 |
| 1000 | 40" | 1,320.8 | 158.7 | 1,111.2 | 32 | 1212.8 | 60.4 | | 1,073.1 | 1,016.0 | 263.6 | 812 |
| 1050 | 42" | 1,403.3 | 168.1 | 1,168.4 | 28 | 1282.7 | 66.5 | | 1,127.2 | 1,066.8 | 279.4 | 1000 |
| 1100 | 44" | 1,454.1 | 172.9 | 1,225.5 | 32 | 1333.5 | 66.5 | | 1,181.1 | 1,117.6 | 289.0 | 1074 |
| 1150 | 46" | 1,511.3 | 179.3 | 1,276.3 | 32 | 1390.6 | 66.5 | | 1,234.9 | 1,168.4 | 300.0 | 1186 |
| 1200 | 48" | 1,593.8 | 188.9 | 1,333.5 | 32 | 1460.5 | 73.1 | | 1,289.0 | 1,219.2 | 316.0 | 1417 |
| 1250 | 50" | 1,670.0 | 196.8 | 1,384.3 | 28 | 1,524.0 | 79.2 | | 1,343.1 | 1,270.0 | 328.6 | 1596 |
| 1300 | 52" | 1,720.8 | 203.2 | 1,435.1 | 32 | 1574.8 | 79.2 | | 1,394.0 | 1,320.8 | 336.5 | 1743 |
| 1350 | 54" | 1,778.0 | 209.5 | 1,492.2 | 32 | 1631.9 | 79.2 | | 1,447.8 | 1,371.6 | 349.2 | 1936 |
| 1400 | 56" | 1,854.2 | 217.4 | 1,543.0 | 32 | 1695.4 | 85.8 | | 1,501.6 | 1,422.4 | 361.9 | 2188 |
| 1450 | 58" | 1,905.0 | 222.2 | 1,600.2 | 32 | 1746.2 | 85.8 | | 1,552.4 | 1,473.2 | 369.8 | 2306 |
| 1500 | 60" | 1,993.9 | 233.4 | 1,657.3 | 28 | 1,822.4 | 91.9 | | 1,609.8 | 1,524.0 | 388.8 | 2746 |
| ASME B16.47 2006 SERIE B | | | | | | | | | | | | |
| 650 | 26" | 889.0 | 111.2 | 726.9 | 28 | 806.4 | 44.4 | S DEĞERİ MÜŞTERİ İLE GÖRÜŞÜLEREK BELİRLENECEKTİR | 698.5 | 660.4 | 180.8 | |
| 700 | 28" | 952.5 | 115.8 | 784.4 | 28 | 863.6 | 47.7 | | 752.3 | 711.2 | 190.5 | |
| 750 | 30" | 1,022.3 | 125.4 | 841.2 | 28 | 927.1 | 50.8 | | 806.4 | 762.0 | 204.7 | |
| 800 | 32" | 1,085.8 | 130.0 | 895.3 | 28 | 984.2 | 53.8 | | 860.6 | 838.2 | 215.9 | |
| 850 | 34" | 1,162.0 | 141.2 | 952.5 | 24 | 1054.1 | 60.4 | | 914.4 | 863.6 | 233.4 | |
| 900 | 36" | 1,212.8 | 146.0 | 1009.6 | 28 | 1104.9 | 60.4 | | 968.2 | 914.4 | 242.8 | |

Ölçüler mm olarak verilmiştir.
Çelik ve paslanmaz üretilebilir.

Dimensions are in mm.
Steel and stainless steel can be produce.